

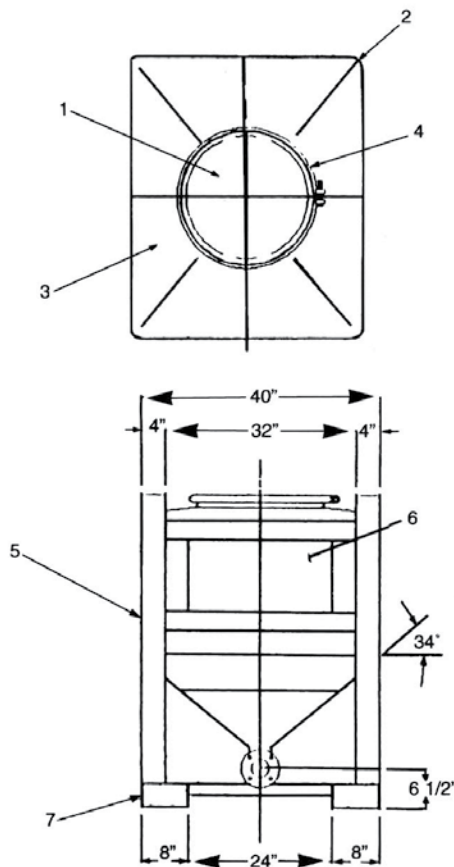


Poly Liquid Tank Cone Bottom

*30 cubic foot (225 gallon) poly container
designed for viscous liquids*

- Designed especially for viscous liquids such as mayonnaise, honey and jelly
- Easy, safe handling
- Reusable and returnable
- Stainless steel or carbon steel frame
- 40 degree hopper bottom
- 3" bottom flanged opening
- 2 1/2" radius corner bottle for greater strength and easy cleaning
- Heavy duty white polyethylene rotationally molded bottle
- 22" top opening with stainless steel lid
- Combination feet and stacking pad
- Valve optional

SPECS



Features

1. 22" stainless steel manway cover with white silicone or EPDM gasket
2. 2" radius corners
3. Heavy duty linear polyethylene bottle
4. Bolted, plated steel clamp ring
5. Heavy duty, 11 gauge carbon or stainless steel frame
6. Placard holders on all four sides
7. Two way fork tube entry
8. 3" bottom discharge with 6 1/2" diameter valve flange (Valve not included)

