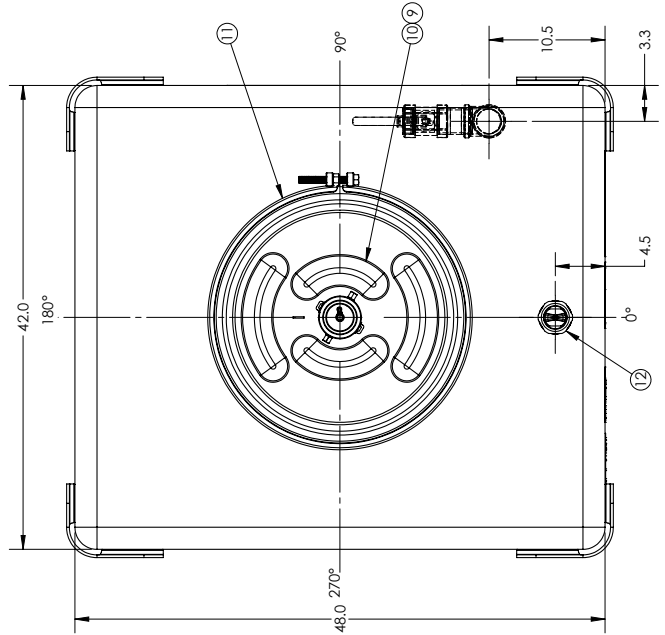
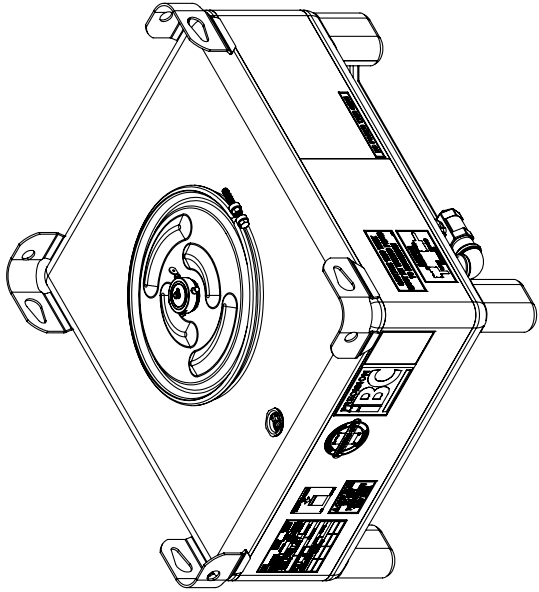


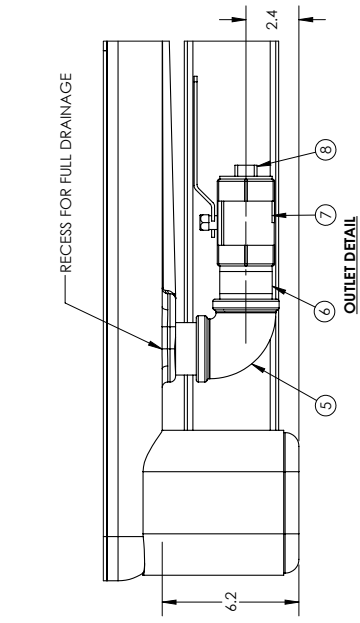
STAINLESS STEEL 126 GALLON SIDE DISCHARGE

CUSTOMER APPROVAL
 APPROVED FOR PRODUCTION AS DRAWN.
 REVISE AS NOTED & RESUBMIT FOR APPROVAL.
 SIGNATURE: _____
 DATE: _____
 DRAWING IS NOT VALID UNLESS SIGNED



- NOTES:**
- TANK IS DESIGNED AND CONSTRUCTED IN ACCORDANCE WITH U.N. SPECIFICATIONS.
 - TANK AND HEADS CONSTRUCTION OF 10 GA MATERIAL.
 - TANK IS AIR TESTED AT 3 PSI.
 - ALL WELDS CLEANED OF SLAG AND SPATTER.
 - TANK INTERIOR AND EXTERIOR ARE ELECTRO-CLEANED.

QTY.	PART NUMBER	DESCRIPTION
14	99700352	DECAL STACK 126 SPRINTR
13	34701720	DECAL PKG PRECISION SPRINTR REV-STEM
12	35901511	PLUG 2IN-HEX HEAD W/EPDM GASKET 304SS
11	34701360	ASM BOLTED CLAMP RING 22.5/16 ZIN-C-PLTD
10	35901290	ASM LID 22-5/16 L DOT 3IN FV W/TEE 304SS
9	33100387	GASKET 22-5/16 DIA. 55 MS MULTISEAL EPDM
8	34200833	PLUG PVC 2IN NPT SQ HEAD
7	35400162	NIPPLE 2IN X 3 LG SCH40 TRF 304SS
6	35300529	ELBOW 2IN 1 50H 90 DEG 304SS
4	35901485	PRECISION IBC UN TAG 304SS
3	34900112	WELD ASM LIFT LUGS HEAVY DUTY 304SS
2	35901173	VALVE GUARD 4-1/4 X 4 1/4 X 10GA 304SS
1	34900068	TK 126 SPRINTR 42X48 304SS 6-3/16 LEG NIP



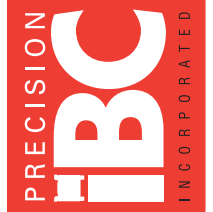
REV	DATE	DESCRIPTION
1		PRECISION IBC

NO. OF SCALE	SCALE
1	AS SHOWN

CUSTOMER	PRECISION IBC
DATE	Released
REV. NO.	6984000F51304
REV. DATE	0005004
REV. BY	
REV. DATE	

FILE	ASM TK 126 SPRINTR 42X48
REV	304SS PREC FP
REV. NO.	
REV. DATE	

ALL DIMENSIONS ARE IN INCHES. NOMINAL & SUBJECT TO CHANGE WITHOUT NOTICE.
 ALL DIMENSIONS ON ROTATIONAL MOLDED PARTS ARE SUBJECT TO A +/-.3% TOLERANCE



MAR '21

Believe in better service.

PRECISIONIBC.COM

BROUSSARD, LA
888.805.1247

FAIRHOPE, AL
800.544.7069