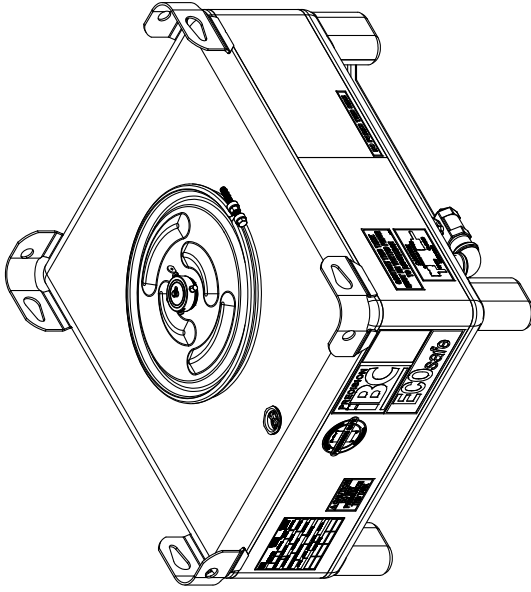
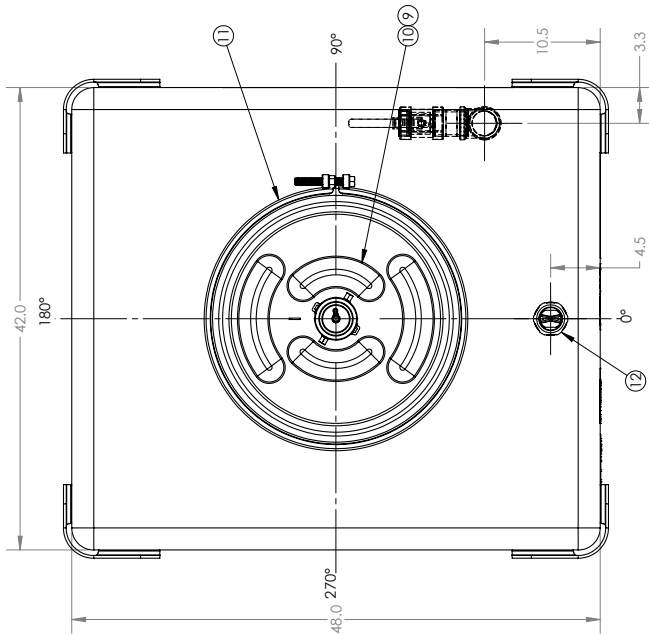
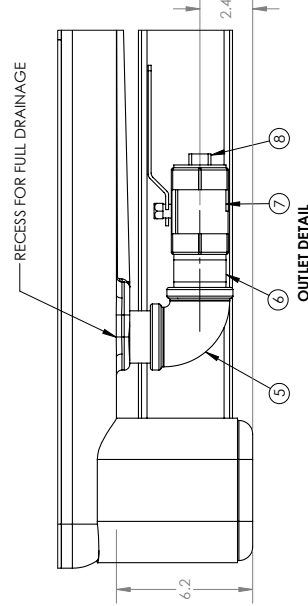
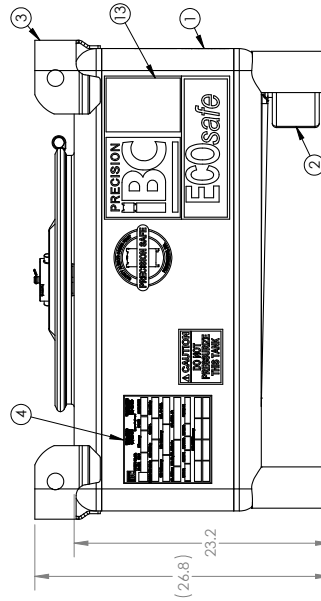


# 126 GALLON STANDARD STAINLESS



- NOTES:
- TANK IS DESIGNED AND CONSTRUCTED IN ACCORDANCE WITH U.N. SPECIFICATIONS.
  - TANK AND HEADS CONSTRUCTION OF 10 GA MATERIAL.
  - TANK IS AIR TESTED AT 3 PSI.
  - ALL WELDS CLEANED OF SLAG AND SPATTER.
  - TANK INTERIOR AND EXTERIOR ARE ELECTRO-CLEANED.



ITEM	QTY.	PART NUMBER	DESCRIPTION
13	1	34701720	DECAL PKG PRECISION SPRINTR REV STEM
12	1	35901511	PLUG 2IN HEX HEAD WH EPDM GASKET 304SS
11	1	34701340	ASM BOLTED CLAMP RING 22-5/16 ZINC-PLTD
10	1	35901290	ASM LD 22-5/16 DOT 3IN FV W/TEE 304SS
9	1	33100387	GASKET 22-5/16 DIA 55 MS MULTISEAL EPDM
8	1	34200833	PLUG PVC 2IN NPT SQ HEAD
7	1	35400142	VALVE 2IN REV STEM BY LOCK HNDL 316SS
6	1	35300587	NIPPLE 2IN X 3 LG SCH40 BBE 304SS
5	1	35300529	ELBOW 2IN 150# 90 DEG 304SS
4	1	35901485	PRECISION IBC UN TAG 304SS
3	1	34900112	WELD ASM LIFT LUGS HEAVY DUTY 304SS
2	1	35901173	VALVE GUARD 4-1/4 X 43-1/4 X 10GA 304SS
1	1	34900068	TK 126 SPRINTR 42X48 304SS 6-3/16 LEG NIP

PRECISION IBC	CUSTOMER NO:
DO NOT SCALE	
Released	

REV	DATE	DESCRIPTION
B		ASM TK 126 SPRINTR 42X48 304SS PREC FP

REV	DATE	DESCRIPTION
D005004		6984000F51304

JUN '17



*Believe in better service.*

PRECISIONIBC.COM

BROUSSARD, LA  
888.805.1247

FAIRHOPE, AL  
800.544.7069