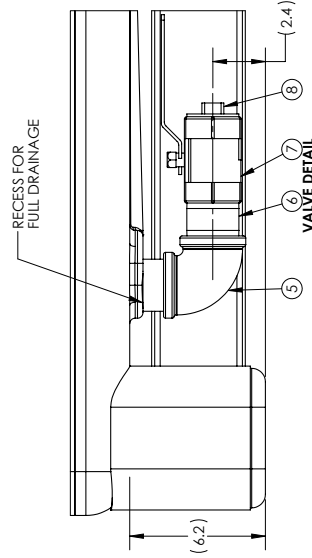
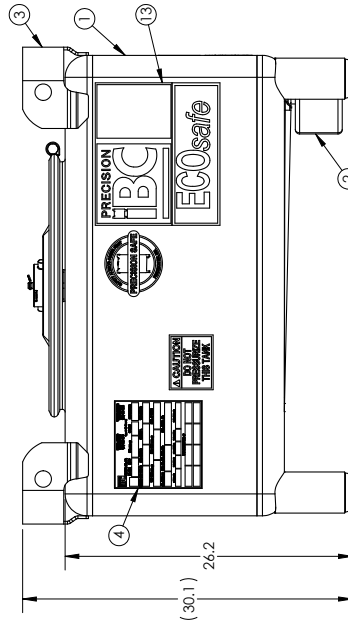
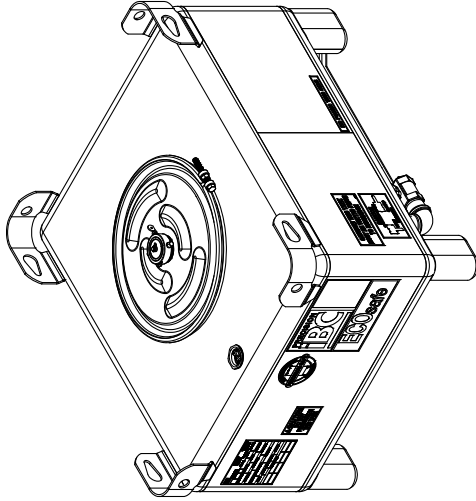
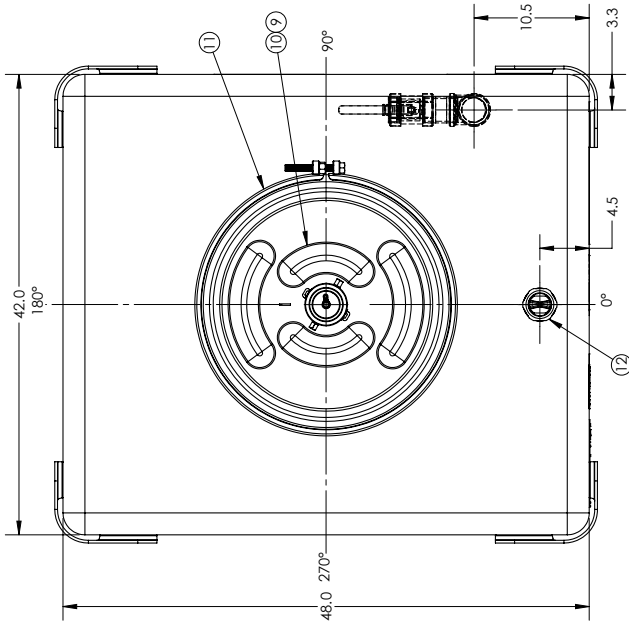


165 GALLON STANDARD STAINLESS



NOTES:

1. TANK IS DESIGNED AND CONSTRUCTED IN ACCORDANCE WITH U.N. SPECIFICATIONS
2. SHELL AND HEAD CONSTRUCTION OF 10GA MATERIAL.
3. TANK IS AIR TESTED AT 3 PSI
4. ALL WELDS CLEANED, O-RINGS AND SPACERS
5. ALL WELDS CLEANED, O-RINGS ARE CLEANED
6. U.N. TAG: PUT PRECISION IBC SERIAL NUMBER IN "MFG SERIAL NO." LOCATION.

ITEM NO.	QTY.	PART NUMBER	DESCRIPTION
13	1	34701720	DECAL PKG PRECISION SPRINTR REV-STEM
12	1	33901511	PLUG 2IN HEX HEAD WH EPDM GASKET 304SS
11	1	34701340	ASM BOLTED CLAMP RING 22-5/16 ZINC-PLTD
10	1	33901290	ASM LID 22-5/16 DOT 3IN FV W/EEF 304SS
9	1	33100387	GASKET 22-5/16 DIA .55 IAS MULTISEAL EPDM
8	1	34200833	PLUG PVC 2IN NPT SQ HEAD
7	1	35400162	VALVE 2IN REV STEM BY LOCK HNDL 316SS
6	1	35300587	NIPPLE 2IN X 3 LG SCH40 TBE 304SS
5	1	35300529	ELBOW 2IN 150# 90 DEG 304SS
4	1	33901465	PRECISION IBC UNTAG 304SS
3	1	34900112	WELD ASM LIFT LUGS HEAVY DUTY 304SS
2	1	33901173	VALVE GUARD 4-1/4 X 43-1/4 X 10GA 304SS
1	1	34900066	TK 165 SPRINTR 42X48 304SS 6-3/16 LEG NIP.

DATE	BY	SCALE	DATE
Released			10/20/2014

REV	DESCRIPTION
B	ASM TK 165GAL SPRINTR 304SS DWG#19120e
1	

PART NO.	REV. NO.	DWG NO.
698400P51301		D003075

ALL DIMENSIONS ARE IN INCHES. NOMINAL & SUBJECT TO CHANGE WITHOUT NOTICE. ALL DIMENSIONS ON ROTATIONAL MOLDDED PARTS ARE SUBJECT TO A ± 3% TOLERANCE.

JUN '17



Believe in better service.

PRECISIONIBC.COM

BROUSSARD, LA
888.805.1247

FAIRHOPE, AL
800.544.7069