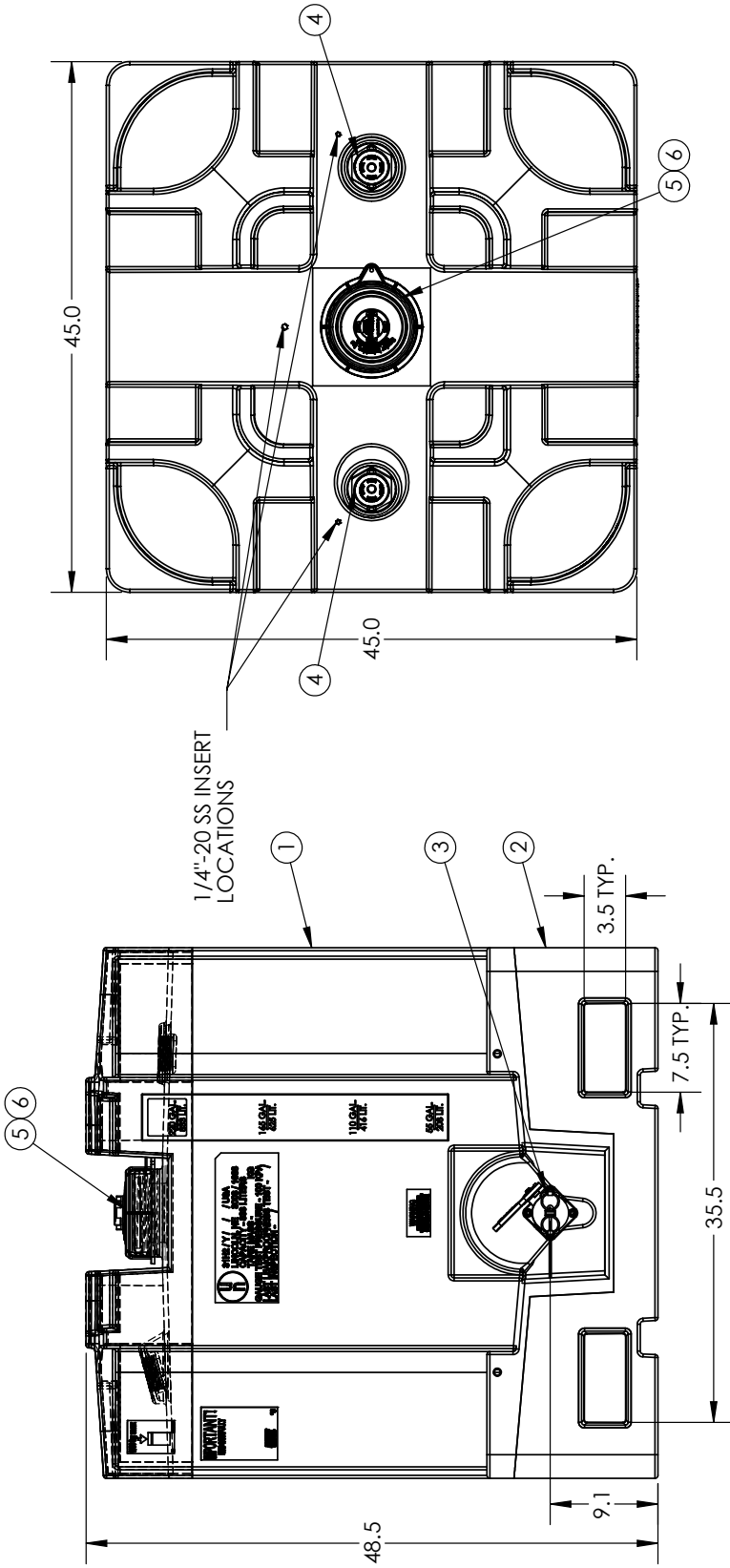


220 PREMIUM SQUARE STACKABLE



UN MARKING READS:


31H2/Y / / USA
LINCOLN, NE 3003 / 1668
CAPACITY - 833 LITERS
TARE MASS - KG
GAUGE TEST PRESSURE - 100 KPA
LAST LEAKPROOFNESS TEST - /
LAST INSPECTION - /

ALL DIMENSIONS ARE IN INCHES, NOMINAL, & SUBJECT TO CHANGE WITHOUT NOTICE.
 ALL DIMENSIONS ON ROTATIONAL MOLDED PARTS ARE SUBJECT TO A $\pm 3\%$ TOLERANCE.

STANDARD 220 SQUARE STACKABLE "STANDARD PACKAGE OF EQUIPMENT"

7	1	34701438	STD 220G IBC ASSEMBLY KIT W/BAG
6	1	34700822	ASM VENT PE 2IN VACUUM SII W/EPDM
5	1	34700391	ASM CAP PE 6IN H.DUTY 2IN NPT-EPDM W/TIE
4	2	34700340	ASM PLUG 2IN NPS BUNG W/EPDM-WHITE
3	1	34700718	ASM VALVE 2IN 4-BOLT STUBBY 100KPA
2	1	6210000897601	ASM BASE SQ STK 4WAY HD/RED
1	1	6630023897201	ASM TK 220 SQ HD/NAT BDR/2RB/3INS 6CAP
ITEM NO.	QTY.	PART NUMBER	DESCRIPTION

STATUS: Released
 DO NOT SCALE
 DRAWN BY: ETD
 TITLE: ASM TK 220 SQ NAT 2RB/3IN 6C PM-RED EPDM
 REVISION: A
 SHEET 1 OF 1
 PART NO. 6630023897202
 ENG. ID. D002975



Believe in better service.

PRECISIONIBC.COM

BROUSSARD, LA
 888.805.1247
 FAIRHOPE, AL
 800.544.7069