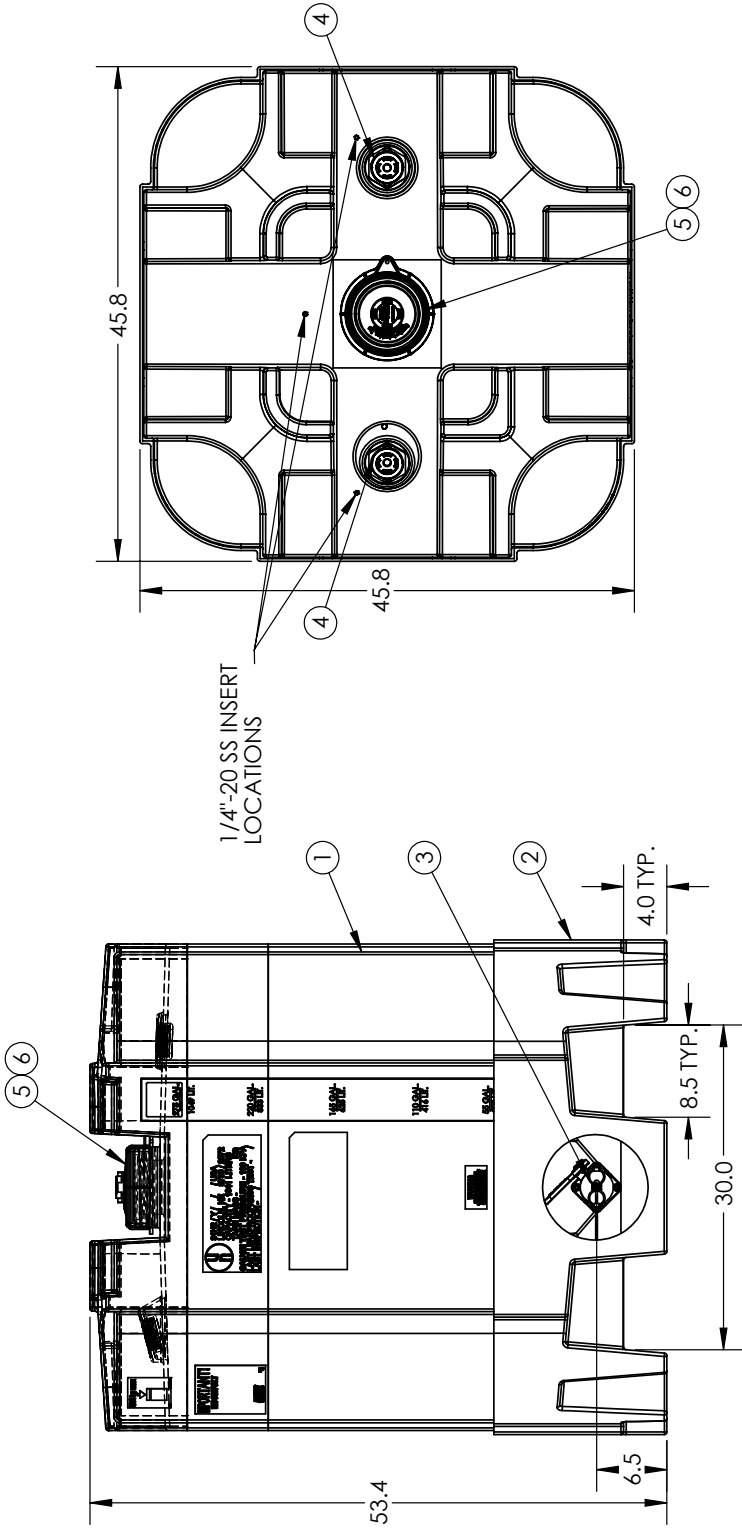


275 HEAVY DUTY SQUARE STACKABLE



1/4"-20 SS INSERT LOCATIONS

UN MARKING READS:


31H2/Y / / USA
LINCOLN, NE 3730 / 2072
CAPACITY - 1041 LITERS
TARE MASS - KG
GAUGE TEST PRESSURE - 100 KPA
LAST LEAKPROOFNESS TEST - /
LAST INSPECTION - /

ALL DIMENSIONS ARE IN INCHES, NOMINAL, & SUBJECT TO CHANGE WITHOUT NOTICE.
 ALL DIMENSIONS ON ROTATIONAL MOLDED PARTS ARE SUBJECT TO A ± 3% TOLERANCE.

STANDARD 275 SQUARE STACKABLE "STANDARD PACKAGE OF EQUIPMENT"

7	1	34701262	STD IBC ASSEMBLY KIT W/BAG
6	1	34700822	ASM VENT PE 2IN VACUUM SII W/EPDM
5	1	34700391	ASM CAP PE 6IN H.DUTY 2IN NPT-EPDM W/TIE
4	2	34700340	ASM PLUG 2IN NPS BUNG W/EPDM-WHITE
3	1	34700718	ASM VALVE 2IN 4-BOLT STUBBY 100KPA
2	1	6550000B96701	ASM BASE SQ STK H.DUTY HD/BLK
1	1	6620030B97201	ASM TK 275 SQ HD/NAT BDR 2RB/3INS 6CAP
ITEM NO.	QTY.	PART NUMBER	DESCRIPTION
DONOT SCALE		DRAWN BY	TITLE ASM TK 275 SQ NAT 2RB/3INS 6C HDBLK EPDM
Released		ET3	
STATUS			REVISION A
PART NO. 6620030B97204			SHEET 1 OF 1
ENG. ID. D002991			

Believe in better service.

PRECISIONIBC.COM

BROUSSARD, LA
888.805.1247

FAIRHOPE, AL
800.544.7069

PRECISION
IBC
INCORPORATED