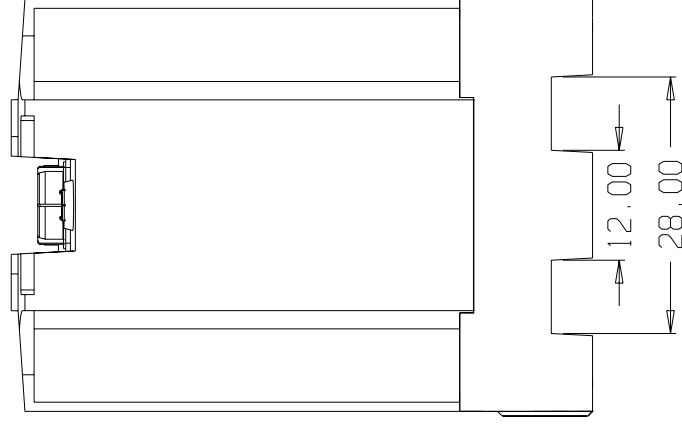
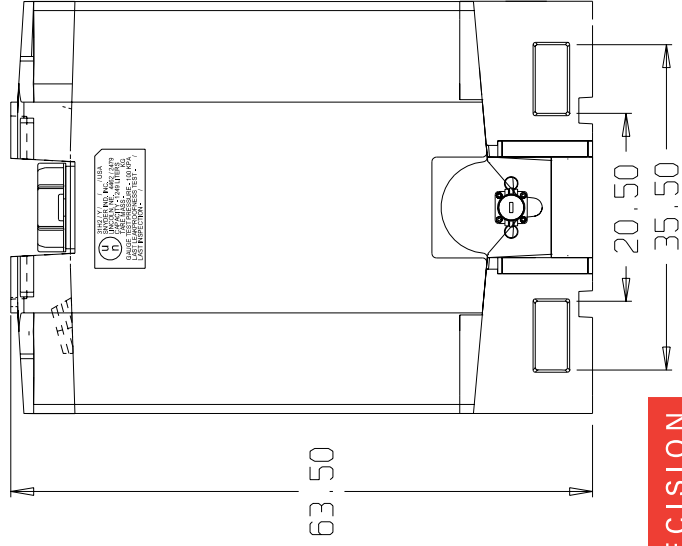
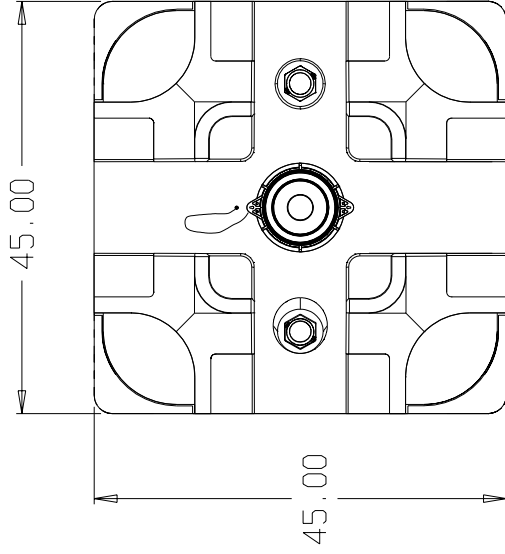


330 PREMIUM SQUARE STACKABLE

PREMIUM 330 SQUARE STACKABLE "STANDARD PACKAGE OF OPTIONAL EQUIPMENT"

ITEM #	DESCRIPTION	QTY.	PART NUMBER
1	TANK - 2 BUNG TANK WITH 6.5" CAP AND BOTTOM DRAIN HDPE NATURAL. (WITH CAP LANYARD INSERT BUT WITHOUT TAMPER EVIDENCE INSERTS MOLDED IN)	1	66145
2	BASE - PREMIUM 4 WAY FORKLIFTABLE HDPE RED.	1	62123
3	2" NPS RIEKE POLYETHYLENE BUNG PLUGS WITH EPDM FLAT GASKETS	2	347340
4	6" HD CAP WITH 2" NPS CENTER OPENING AND EPDM CAP GASKET. EQUIPPED WITH LID TIE	1	347391
5	2" BANJO STANDARD PORT GLASS FILLED POLYPROPYLENE BOTTOM DRAIN VALVE WITH TEFLON SEATS AND BALL AND 18/8 S.S. BOLTS. INCLUDES DUST CAP AND CAP LANYARD.	1	347718



U.N. MARKING ON TANK READS:



31H2 / Y / MO. / YR. / USA
 CAPACITY - 1249 LITERS
 TARE MASS - ACTUAL KG
 GAUGE TEST PRESSURE - 100 KPA
 LAST LEAKPROOFNESS TEST - MO. / YR.
 LAST INSPECTION - MO. / YR.

(all dimensions in inches)
 IBC TANK PART# 66145



Believe in better service.

PRECISIONIBC.COM

BROUSSARD, LA
 888.805.1247

FAIRHOPE, AL
 800.544.7069