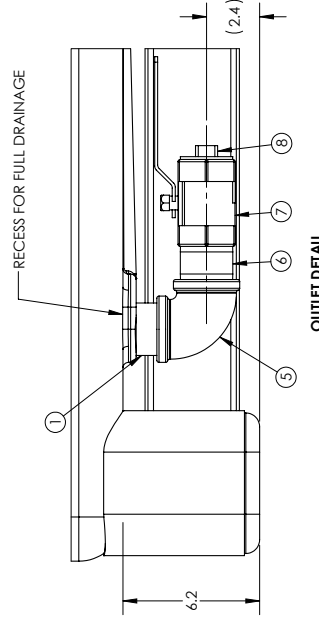
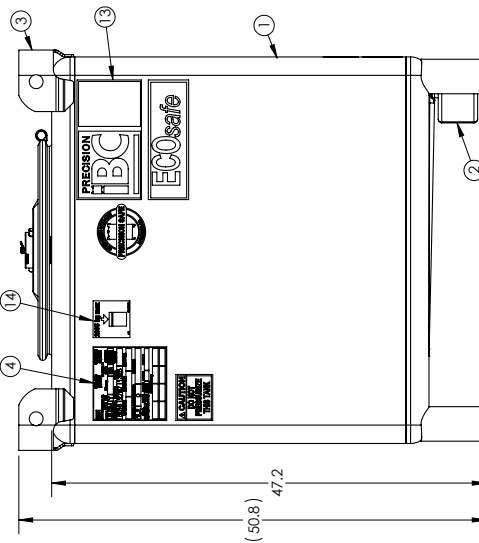
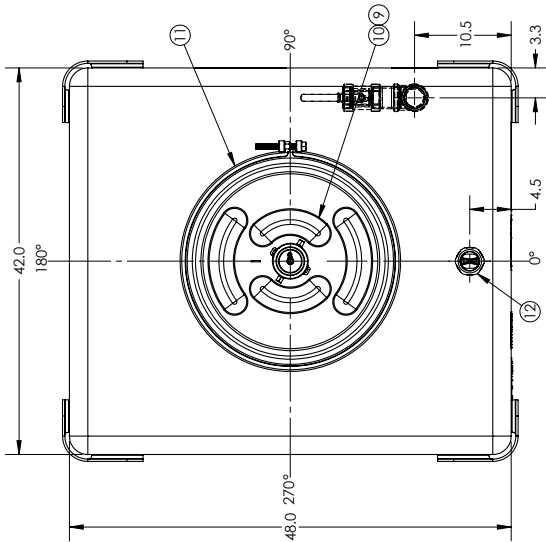
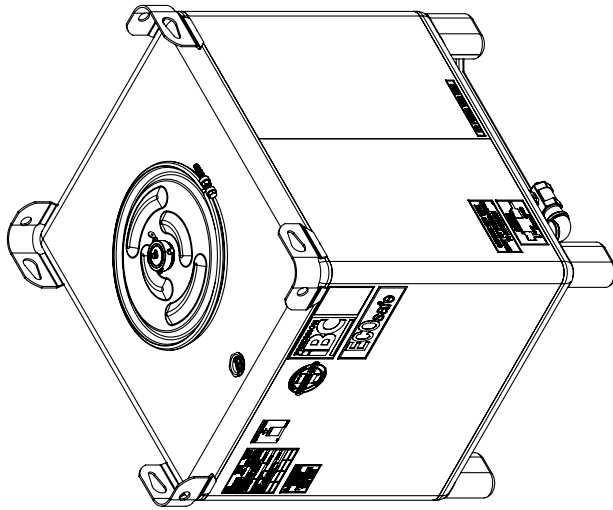


STAINLESS STEEL 350 GALLON SIDE DISCHARGE

CUSTOMER APPROVAL
 APPROVED FOR PRODUCTION AS DRAWN.
 REVISE AS NOTED & RESUBMIT FOR APPROVAL.
 SIGNATURE: _____
 DATE: _____
 DRAWING IS NOT VALID UNLESS SIGNED.



NOTES:

1. TANK IS DESIGNED AND CONSTRUCTED IN ACCORDANCE WITH U.N. SPECIFICATIONS.
2. HEADS AND SHELL CONSTRUCTED OF 10GA MATERIAL.
3. TANK IS AIR TESTED AT 3 PSI.
4. ALL WELDS CLEANED OF SLAG AND SPLATTER.
5. TANK INTERIOR AND EXTERIOR ARE ELECTRO-CLEANED.

REV	NO	QTY.	DESCRIPTION
14	1	99700359	DECAL STACK 350-SPRTRR
13	1	34701720	DECAL PKG PRECISION SPRTRR REV-STEM
12	1	35901511	PLUG 2IN HEX HEAD WH EPDM GASKET 304SS
11	1	34701360	ASM BOLTED CLAMP RING 22.5/16 ZINC-PLTD
10	1	35901290	ASM LID 22-5/16 DOT 3IN FV W/TEE 304SS
9	1	33100387	GASKET 22-5/16 DIA. 35 MS MULTIBEAL EPDM
8	1	34200833	PLUG PVC 2IN NPT SO HEAD
7	1	35400162	VALVE 2IN REV STEM BV LOCK HNDL 316SS
6	1	35300587	NIPPLE 2IN X 3 LG SCH40 TRB 304SS
5	1	35300529	ELBOW 2IN 1 50IF 90 DEG 304SS
4	1	35901485	PRECISION IBC UN TAG 304SS
3	1	34900112	WELD ASM LIFT LUGS HEAVY DUTY 304SS
2	1	35901173	VALVE GUARD 4-1/4 X 43-1/4 X 10GA 304SS
1	1	34900223	TK 350 SPRTRR 304SS W/NIPPLE

REV	NO	QTY.	DESCRIPTION
PART NUMBER			
CUSTOMER			
PRECISION IBC			
CUSTOMER NO.			
DATE			
REVISED SCALE			
Released			
ISSUE			
NO. NEXT SCALE			
13			
DESIGNER			
ASMTK 350 SPRTRR 42X48			
304SS FV PREC			
REV. NO.			
6984300P51303			
REV. ID.			
D003783			
PERSON			
B			
SHEET			
1/01			

ALL DIMENSIONS ARE IN INCHES. NOMINAL & SUBJECT TO CHANGE WITHOUT NOTICE.
 ALL DIMENSIONS ON ROTATIONAL MOLDED PARTS ARE SUBJECT TO A +/-.3% TOLERANCE

MAR '21



Believe in better service.

PRECISIONIBC.COM

BROUSSARD, LA
 888.805.1247

FAIRHOPE, AL
 800.544.7069