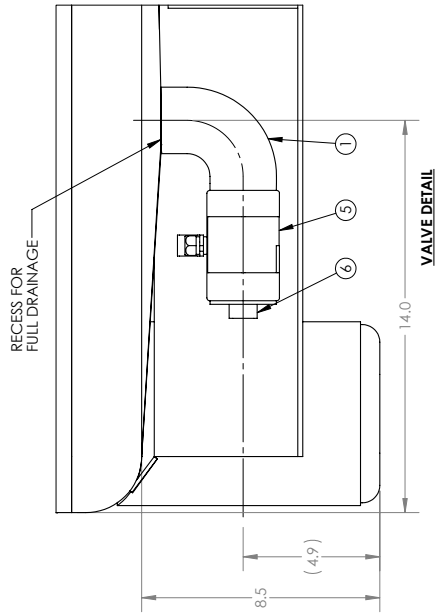
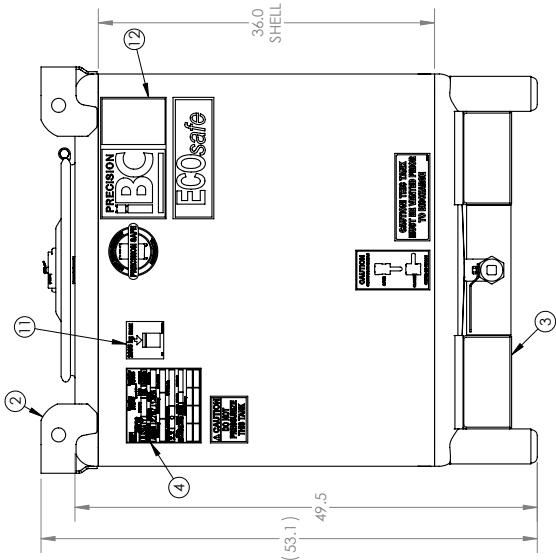
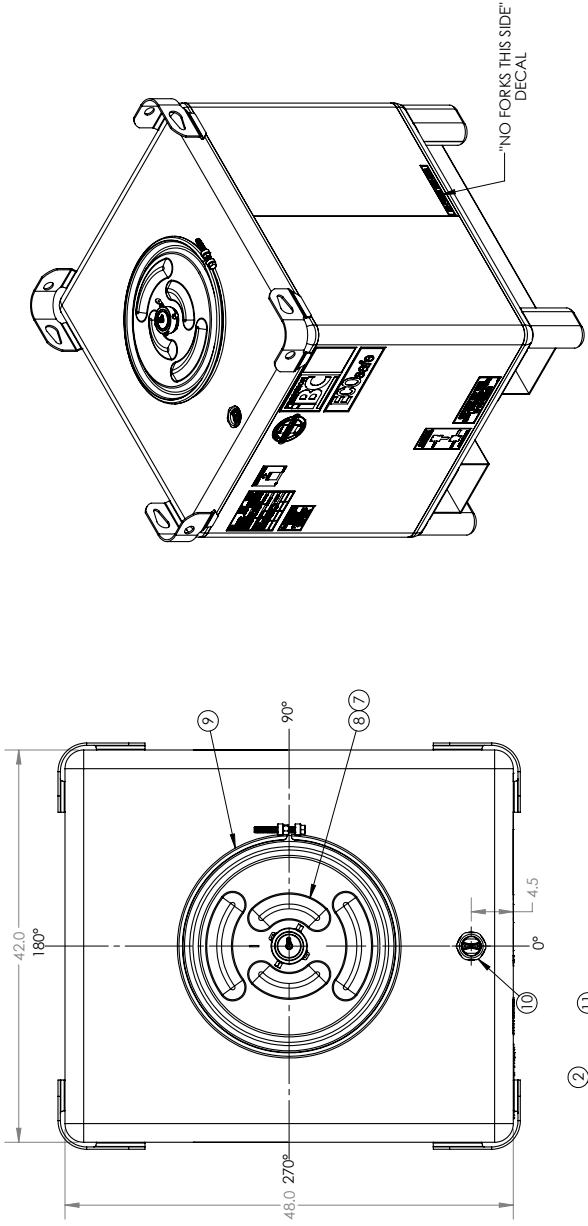


350 GALLON CENTER DISCHARGE STAINLESS



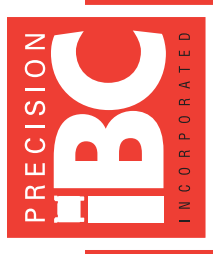
NOTES:

1. TANK IS DESIGNED AND CONSTRUCTED IN ACCORDANCE WITH U.N. SPECIFICATIONS
2. TANK IS AIR TESTED AT 3 PSI
3. ALL WELDS CLEANED OF SLAG AND SPATTER
4. TANK INTERIOR AND EXTERIOR ARE ELECTRO-CLEANED
5. DRUM LID TO BE INSTALLED BY: STRIKE RING AROUND CIRCUMFERENCE WITH A Mallet THEN TIGHTEN BOLT WITH A WRENCH. REPEAT UNTIL BOLT TIGHTENING RESISTANCE DOES NOT CHANGE (REF: 40 LB-FT)
6. 2IN BUNG TO BE INSTALLED 3/8 TO 1/2 ROTATION BEYOND SOLID GASKET CONTACT (REF: 30 LB-FT)
7. UN TAG: PUT PRECISION IBC SERIAL NUMBER IN "MFG SERIAL NO." LOCATION
8. INSTALL DECAL "NO FORKS THIS SIDE" AS SHOWN AND OPPOSITE

ITEM NO.	QTY.	PART NUMBER	DESCRIPTION
12	1	34702343	DECAL PKG PRE SPRINTR STD-STEM
11	1	99700359	DECAL STACK 350 SPRINTR
10	1	35901511	PLUG 2IN HEX HEAD W/EPDM GASKET 304SS
9	1	34701360	ASM BOLTED CLAMP RING 22-5/16 ZINC-PLTD
8	1	35901290	ASM LID 22-5/16 DOT 3IN FV W/TEF 304SS
7	1	33100387	GASKET 22-5/16 DIA. 55 MAS MULTIREAL EPDM
6	1	34200833	PLUG PVC 2IN NPT 5G HEAD
5	1	35400191	VALVE 2IN STD STEM BV LOCK HNDL 316SS
4	1	35901485	PRECISION IBC UN TAG 304SS
3	1	34900005	ASM 42 X 48 CD FORK CHANNELS 304SS
2	1	34900112	WELD ASM LIFTLUGS HEAVY DUTY 304SS
1	1	34900989	TK 350 SPRINTR 42X48 304SS FCD-ELB 8-5LEG

PRECISION IBC		CUSTOMER NO.	
DATE SCALE	REVISION	REV	US
Released			
TITLE: ASM TK 350 SPRINTR 304SS		REVISED: B	
PART NO.: 6984300P51330		SHEET: FCD/ELB PREC	
		Dwg. No. D003781	

ALL DIMENSIONS ARE IN INCHES. NOMINAL & SUBJECT TO CHANGE WITHOUT NOTICE. ALL DIMENSIONS ON ROTATIONAL MOLDING PARTS ARE SUBJECT TO A ± 3% TOLERANCE.



SEPT '17

Believe in better service.

PRECISIONIBC.COM

BROUSSARD, LA
888.805.1247

FAIRHOPE, AL
800.544.7069