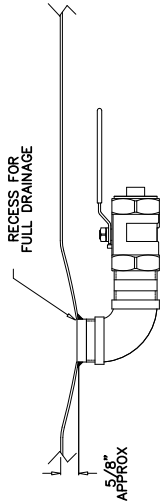
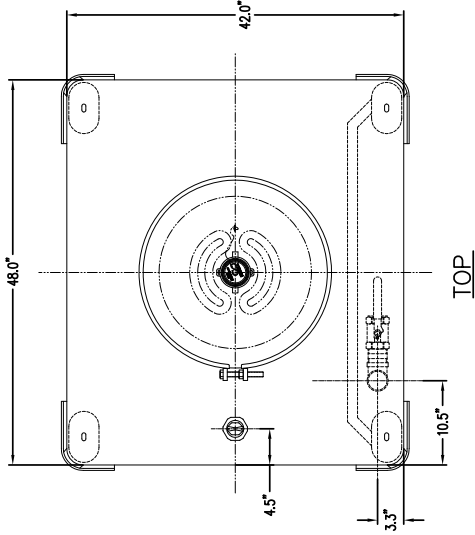


350 GALLON STANDARD STAINLESS

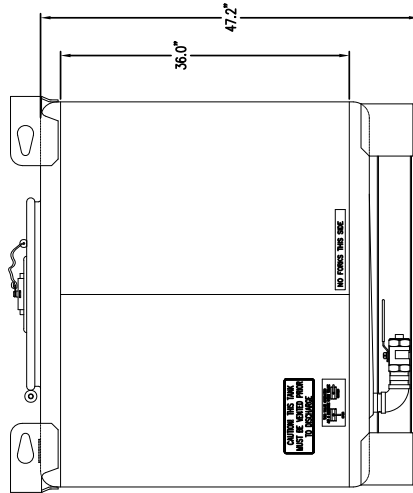
NO.	DATE	DESCRIPTION	BY	APPD.

NOTES:

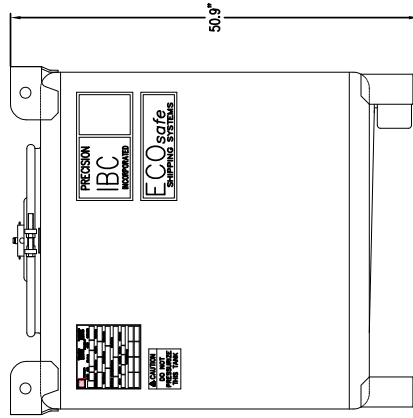
1. TANK IS DESIGNED AND CONSTRUCTED IN ACCORDANCE WITH U.N. SPECIFICATIONS
2. TANK IS AIR TESTED AT 3 PSI
3. ALL WELDS CLEANED OF SLAG AND SPATTER
4. TANK INTERIOR AND EXTERIOR ARE ELECTRO-CLEANED
5. DRUM LID TO BE INSTALLED BY: STRIKE RING AROUND CIRCUMFERENCE WITH A WALLEY THEN TIGHTENING WITH A WRENCH. REPEAT UNTIL BOLT TIGHTENING RESISTANCE DOES NOT CHANGE (REF: 40 LB-FT)
6. 2IN BUNG TO BE INSTALLED 1/8 TO 1/6 ROTATION BEYOND SOLID GASKET CONTACT (REF: 30 LB-FT)
7. U.N TAG: PUT PRECISION IBC SERIAL NUMBER IN "MFG SERIAL NO." LOCATION



VALVE ASSEMBLY DETAIL
SCALE: NONE



LEFT SIDE



FRONT

ALL DIMENSIONS, DESIGNS, AND INFORMATION ON THIS PRINT MUST BE CONSIDERED PRELIMINARY TO PRECISION IBC AND MAY NOT BE USED, COPIED, OR DISTRIBUTED WITHOUT WRITTEN PERMISSION OF AN OFFICE (OR ITS AGENT) OF THE FIRM.

BILL OF MATERIALS	
	PRECISION IBC FAIRHOPE, AL PHONE: (251) 990-6789 WWW.PRECISIONIBC.COM
CUSTOMER:	350 GALLON S/S IBC TANK
JOB:	350 GALLON S/S IBC TANK
SCALE: 1:10	APPROVED BY: LT
DATE: 09/13/07	CHECKED BY: WREB
DESCRIPTION: 350 GAL 42 X 48 SUPERTAINER S/S	DRAWING NUMBER: 18896-1

JUN '17



Believe in better service.

PRECISIONIBC.COM

BROUSSARD, LA
888.805.1247

FAIRHOPE, AL
800.544.7069