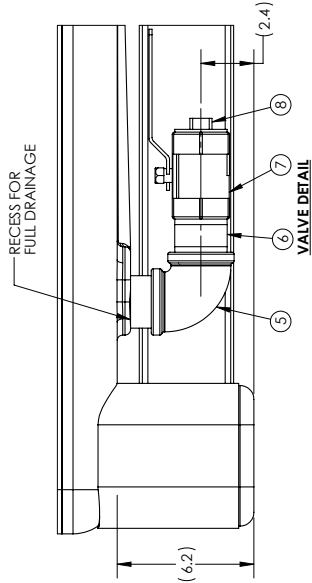
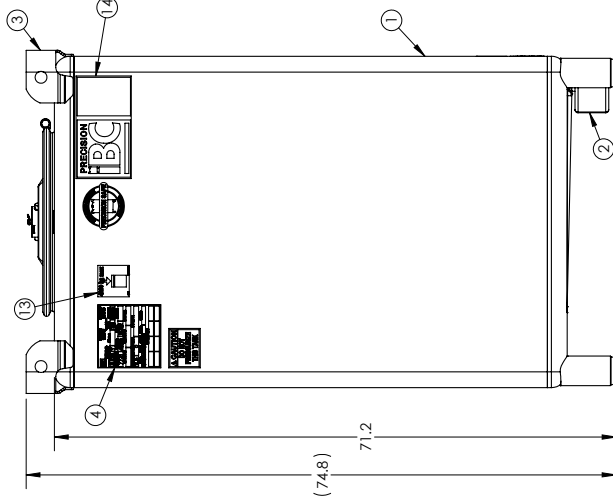
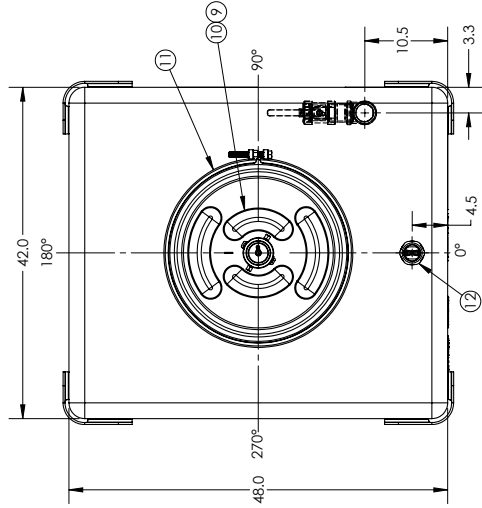
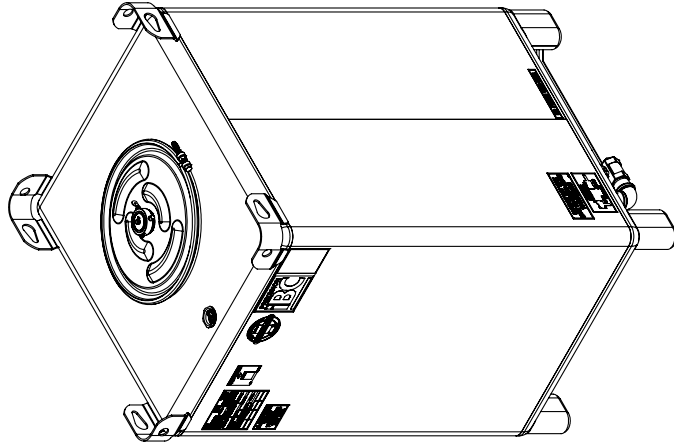


STAINLESS STEEL 550 GALLON SIDE DISCHARGE

CUSTOMER APPROVAL
 APPROVED FOR PRODUCTION AS DRAWN.
 REVISE AS NOTED & RESUBMIT FOR APPROVAL.
 SIGNATURE: _____
 DATE: _____
 DRAWING IS NOT VALID UNLESS SIGNED



NOTES:

1. TANK IS DESIGNED AND CONSTRUCTED IN ACCORDANCE WITH U.N. SPECIFICATIONS.
2. HEADS AND SHELL CONSTRUCTED OF 10GA MATERIAL.
3. TANK IS AIR TESTED AT 13 PSI.
4. ALL WELDS CLEANED OF SLAG AND SPATTER.
5. TANK INTERIOR AND EXTERIOR ARE ELECTRO-CLEANED.
6. UN TAG: PUT PRECISION IBC SERIAL NUMBER IN MFG SERIAL NO."

| ITEM NO. | QTY. | PART NUMBER | DESCRIPTION |
|----------|------|-------------|--|
| 14 | 1 | 54701720 | DECAL PKG PRECISION SPRINR REV-STEM |
| 13 | 1 | 99700364 | DECAL STACK 550 SPRINR |
| 12 | 1 | 35901511 | PLUG 2IN HEX HEAD WH EPDM GASKET 304SS |
| 11 | 1 | 34701360 | ASM BOLTED CLAMP RING 22.5/16 ZINC-PLTD |
| 10 | 1 | 35901290 | ASM IUD 22-5/16 DOT 3IN FV W/TEE 304SS |
| 9 | 1 | 33100387 | GASKET 22-5/16 DIA. 55 MULTISEAL EPDM |
| 8 | 1 | 34200833 | PLUG PVC 2IN NPT SQ HEAD |
| 7 | 1 | 35400162 | VLV 2IN REV STEM BV LOCK HNDL 316SS PREC |
| 6 | 1 | 35300587 | NIPPLE 2IN X 3 LG SCH40 TBE 304SS |
| 5 | 1 | 35300529 | ELBOW 2IN 150# 90 DEG 304SS |
| 4 | 1 | 35901485 | PRECISION IBC UN TAG 304SS |
| 3 | 1 | 34900112 | WELD ASM LIF LUGS HEAVY DUTY 304SS |
| 2 | 1 | 35901173 | VALVE GUARD 4-1/4 X 48-1/4 X 10GA 304SS |
| 1 | 1 | 34900020 | TK-550 SPRINR 304SS W/NIPPLE 6-3/16 LEG |

| CUSTOMER: | PRECISION IBC | DESCRIPTION: |
|----------------|---------------|----------------------------|
| NO. AND SCALE: | 1:1 | ASM TK 550G SPRINR 304SS B |
| DATE: | Released | PREC-STD |
| DRAWN BY: | | PART NO. 6984500P51305 |
| CHECKED BY: | | REV. D. D003782 |
| DESIGNED BY: | | |

ALL DIMENSIONS ARE IN INCHES. NOMINAL & SUBJECT TO CHANGE WITHOUT NOTICE.
 ALL DIMENSIONS ON ROTATIONAL MOLDED PARTS ARE SUBJECT TO A +/-.3% TOLERANCE



MAR '21

Believe in better service.

PRECISIONIBC.COM

BROUSSARD, LA
 888.805.1247

FAIRHOPE, AL
 800.544.7069