

# 550 GALLON STANDARD STAINLESS

**CUSTOMER APPROVAL**

APPROVED FOR PRODUCTION AS DRAWN.

REVISE AS NOTED & RESUBMIT FOR APPROVAL.

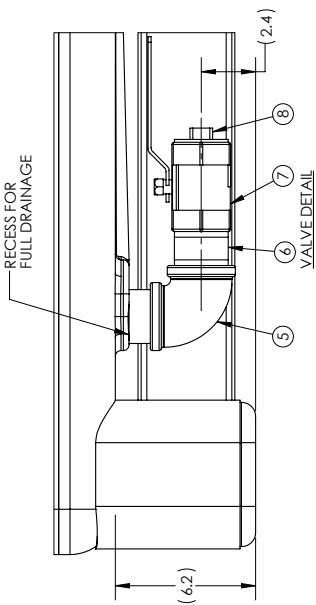
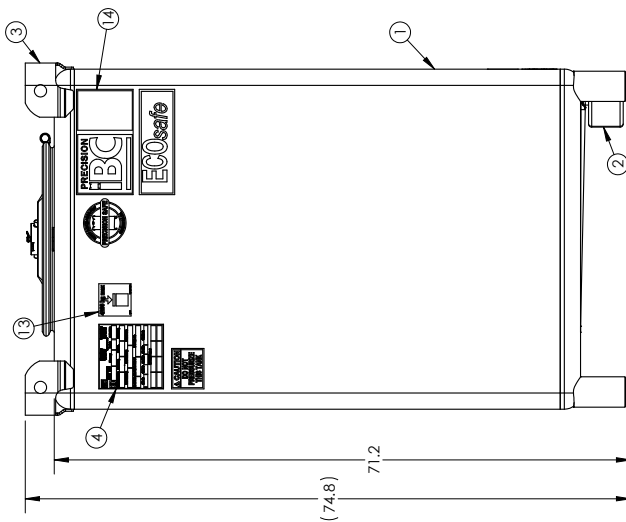
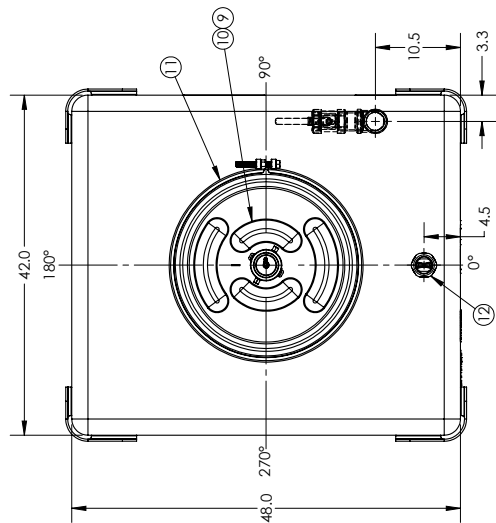
\_\_\_\_\_  
SIGNATURE:

\_\_\_\_\_  
DATE:

\_\_\_\_\_  
DRAWING IS VOID UNLESS SIGNED.

**NOTES:**

1. TANK IS DESIGNED AND CONSTRUCTED IN ACCORDANCE WITH U.N. SPECIFICATIONS.
2. HEADS AND SHELL CONSTRUCTED OF 10GA MATERIAL.
3. TANK IS AIR TESTED AT 3 PSI.
4. ALL WELDS CLEANED OF SLAG AND SPATTER.
5. TANK INTERIOR AND EXTERIOR ARE ELECTRO-CLEANED.
6. UN TAG: PUT PRECISION IBC SERIAL NUMBER IN "MFG SERIAL NO." LOCATION.

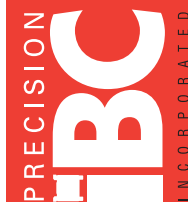


ITEM NO.	QTY.	DESCRIPTION	PART NUMBER
14	1	DECAL PKG PRECISION SPRINTR REV-STEM	34701720
13	1	DECAL STACK 550 SPRINTR	99700364
12	1	PLUG 2IN HEX HEAD WH EPDM GASKET 304SS	35901511
11	1	ASM BOLTED CLAMP RING 22-5/16 ZINC-PLTD	34701360
10	1	ASM LID 22-5/16 DOT 3IN FV W/TFE 304SS	35901290
9	1	GASKET 22-5/16 DIA 55 MS MULTISEAL EPDM	33100387
8	1	PLUG PVC 2IN NPT SQ HEAD	34200833
7	1	VALVE 2IN REV-STEM BY LOCK HNDL 316SS	35400162
6	1	NIPPLE 2IN X 3 LG SCH40 TBE 304SS	35300357
5	1	ELBOW 2IN 150# 90 DEG 304SS	35300329
4	1	PRECISION IBC UN TAG 304SS	35901485
3	1	WELD ASM LIFT LUGS HEAVY DUTY 304SS	34900112
2	1	VALVE GUARD 4-1/4 X 43-1/4 X 10GA 304SS	35901173
1	1	TK 550 SPRINTR 304SS W/NIPPLE 6-3/16 LEG	34900020

PRECISION IBC	CUSTOMER NO.
THIS DRAWING IS THE PROPERTY OF PRECISION IBC. IT IS TO BE USED ONLY FOR THE PROJECT AND QUANTITY SPECIFIED. IT IS NOT TO BE REPRODUCED OR COPIED IN ANY MANNER WITHOUT THE WRITTEN PERMISSION OF PRECISION IBC.	ASM TK 550G SPRINTR 304SS
DATE: 01/11/18	PREC-STD
REV: A	DATE: 01/11/18
DESIGNED BY: 6984500P51305	DATE: 01/11/18
DRAWN BY: 6984500P51305	DATE: 01/11/18
CHECKED BY: 6984500P51305	DATE: 01/11/18
APPROVED BY: 6984500P51305	DATE: 01/11/18

FEB '18



*Believe in better service.*

PRECISIONIBC.COM

BROUSSARD, LA  
888.805.1247

FAIRHOPE, AL  
800.544.7069