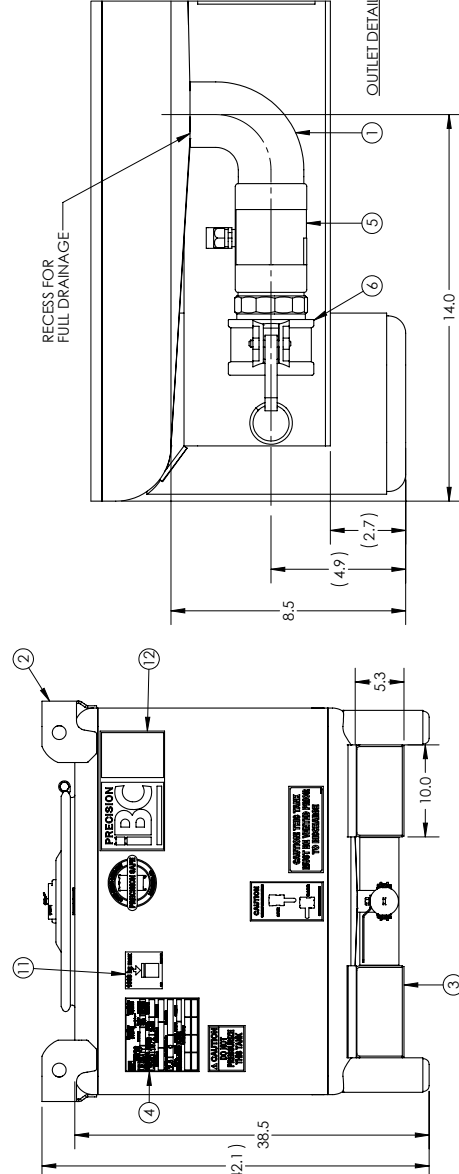
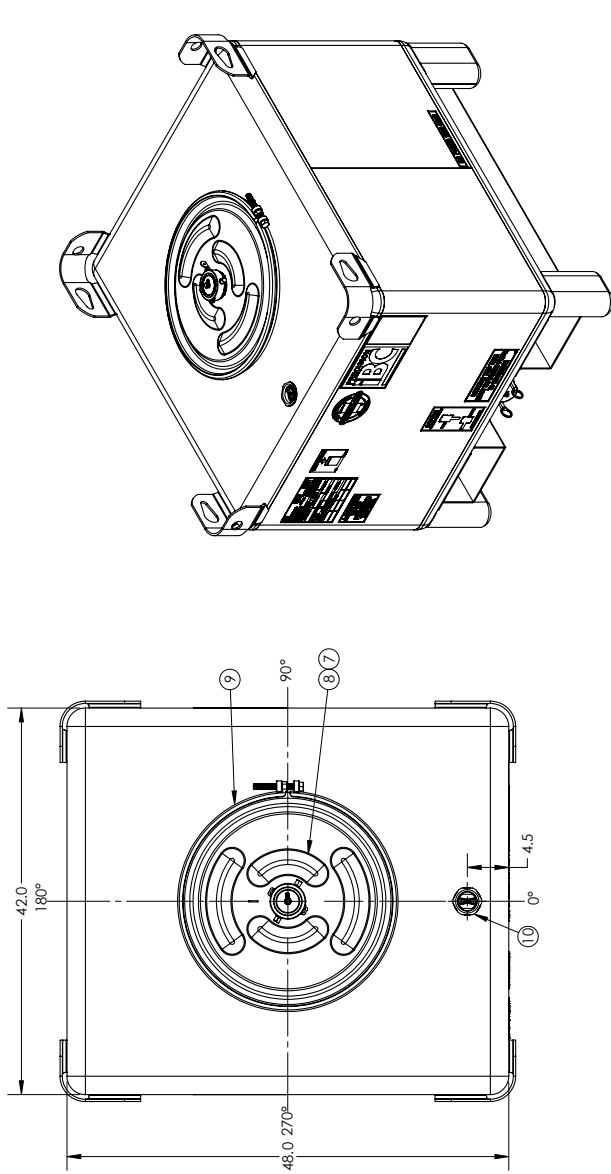


STAINLESS STEEL 250 GALLON CENTER DISCHARGE

CUSTOMER APPROVAL
 APPROVED FOR PRODUCTION AS DRAWN.
 REVISE AS NOTED & RESUBMIT FOR APPROVAL.
 SIGNATURE: _____
 DATE: _____
 DRAWING IS NOT VALID UNLESS SIGNED

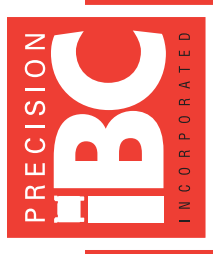


- NOTES:
1. TANK IS DESIGNED AND CONSTRUCTED IN ACCORDANCE WITH U.I.N. SPECIFICATIONS
 2. TANK IS AIR TESTED AT 3 PSI
 3. ALL WELDS CLEANED OF SLAG AND SPATTER
 4. TANK INTERIOR AND EXTERIOR ARE ELECTRO-CLEANED
 5. UN TAG: PUT PRECISION IBC SERIAL NUMBER IN "MFG SERIAL NO." LOCATION.

REV	QTY.	PART NUMBER	DESCRIPTION
12	1	34702343	DECAL PKG PRE SPRINTR STD-STEM
11	1	99700577	DECAL STACK RATING 245 SPRINTR
10	1	35901511	PLUG 2IN HEX HEAD W/EPDM GASKET 304SS
9	1	34701360	ASM BOLTED CLAMP RING 22-5/16 ZINC-PLD
8	1	35901290	ASM LID 22-5/16 DOT 3IN FV W/TEF 304SS
7	1	33100387	GASKET 22-5/16 DIA. 55 MS MULTISEAL EPDM
6	1	34701524	ASM 2IN 316SS CAMLOCK ADPT W/DUST CAP
5	1	35400191	VALVE ZIN STD STEM BV LOCK HNDL 316SS
4	1	35901485	PRECISION IBC UN TAG 304SS
3	1	34900005	ASM 42 X 48 CD FORK CHANNELS 304SS
2	1	34900112	WELD ASM LIFT LUGS HEAVY DUTY 304SS
1	1	34902086	TK-250 SPRINTR 42X48 304SS FCD-ELB 8.5LEG

CUSTOMER		PART NUMBER		DESCRIPTION	
PRECISION IBC	Released	ASM TK 250 SPRINTR 304SS	FCD/ELB PREC	6984000F51347	D010494

ALL DIMENSIONS ARE IN INCHES. NOMINAL & SUBJECT TO CHANGE WITHOUT NOTICE. ALL DIMENSIONS ON ROTATIONAL MOLDED PARTS ARE SUBJECT TO A +/- .3% TOLERANCE



JUL '20

Believe in better service.

PRECISIONIBC.COM

BROUSSARD, LA 888.805.1247
 FAIRHOPE, AL 800.544.7069