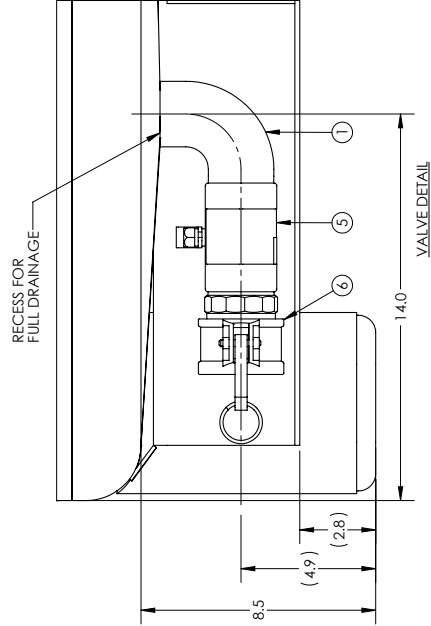
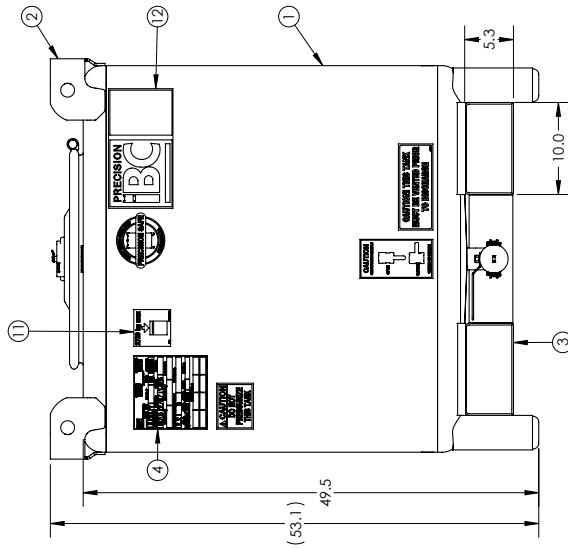
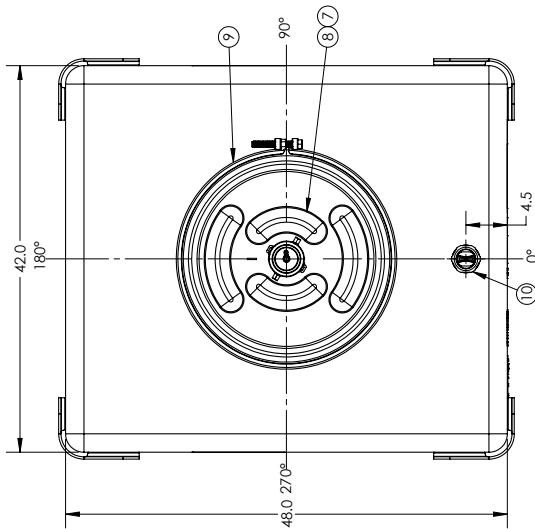
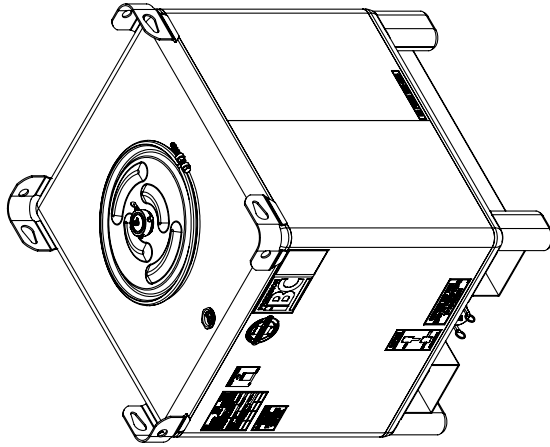


STAINLESS STEEL 350 GALLON CENTER DISCHARGE

CUSTOMER APPROVAL
 APPROVED FOR PRODUCTION AS DRAWN.
 REVISE AS NOTED & RESUBMIT FOR APPROVAL.
 SIGNATURE: _____
 DATE: _____
 DRAWING IS NOT VALID UNLESS SIGNED



NOTES:

1. TANK IS DESIGNED AND CONSTRUCTED IN ACCORDANCE WITH U.I.N. SPECIFICATIONS
2. TANK IS AIR TESTED AT 3 PSI
3. ALL WELDS CLEANED OF SLAG AND SPATTER
4. TANK INTERIOR AND EXTERIOR ARE ELECTRO-CLEANED
5. UN TAG: PUT PRECISION IBC SERIAL NUMBER IN "MFG SERIAL NO." LOCATION.

REV	QTY.	DESCRIPTION	PART NUMBER	CUSTOMER NO.
12	1	DECAL PKG PRE SPRINTR STD-STEM		
11	1	DECAL STACK 350 SPRINTR		
10	1	PLUG 2IN HEX HEAD WH EPDM GASKET 304SS		
9	1	ASM BOLTED CLAMP RING 22-5/16 ZINC-PLD		
8	1	ASM LID 22-5/16 DOT 3IN PV W/TEF 304SS		
7	1	GASKET 22-5/16 DIA. 55 MS MULTISEAL EPDM		
6	1	ASM 2IN 316SS CAMLOCK ADPT W/DUST CAP		
5	1	VALVE ZIN STD STEM BV LOCK HNDL 316SS		
4	1	PRECISION IBC UN TAG 304SS		
3	1	ASM 42 X 48 CD FORK CHANNELS 304SS		
2	1	WELD ASM LIFT LUGS HEAVY DUTY 304SS		
1	1	TK-350 SPRINTR 42X48 304SS FCD-ELB 8.5LEG		
REV	NEW	QTY.	PART NUMBER	DESCRIPTION
PRECISION IBC				
DATE: Released		ISSUE: 13	CUSTOMER NO.	
REVISED: _____		BY: _____	TITLE: ASM TK 350 SPRINTR 304SS FCD/ELB PREC	
DRAWN: _____		CHECKED: _____	PART NO.: 6984300P51342	
SCALE: _____		APPROVED: _____	REV. NO.: D006103	

ALL DIMENSIONS ARE IN INCHES. NOMINAL & SUBJECT TO CHANGE WITHOUT NOTICE.
 ALL DIMENSIONS ON ROTATIONAL MOLDED PARTS ARE SUBJECT TO A +/-.3% TOLERANCE

JUL '20



Believe in better service.

PRECISIONIBC.COM

BROUSSARD, LA
 888.805.1247

FAIRHOPE, AL
 800.544.7069