

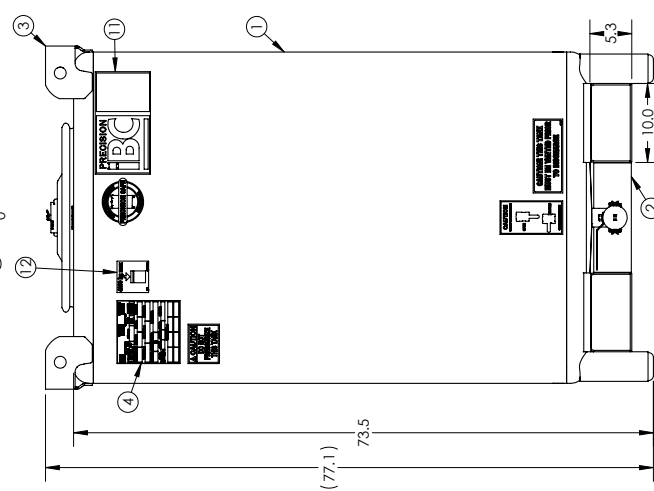
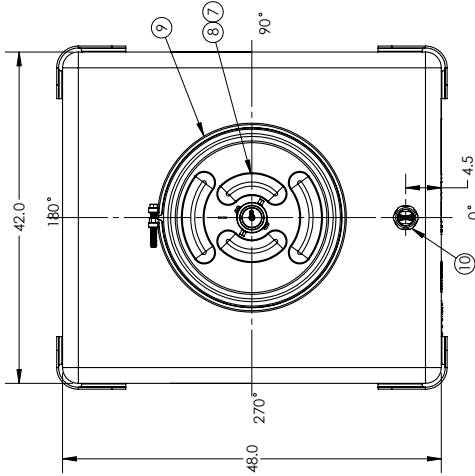
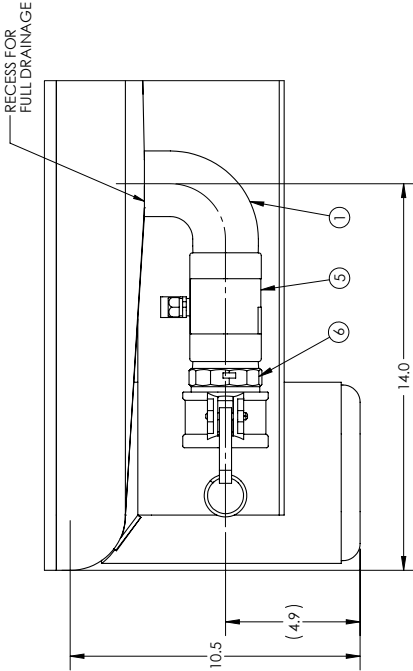
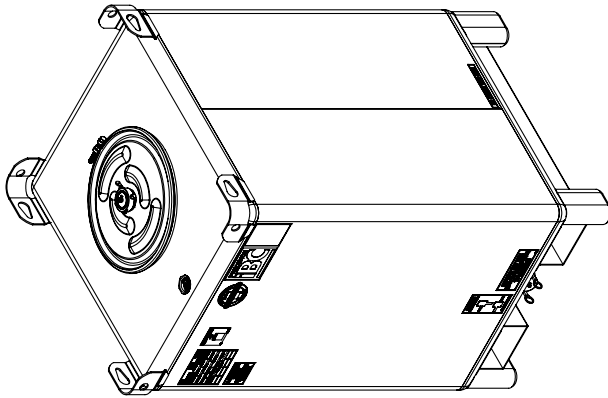
# STAINLESS STEEL 550 GALLON CENTER DISCHARGE

**CUSTOMER APPROVAL**  
 APPROVED FOR PRODUCTION AS DRAWN.  
 REVISE AS NOTED & RESUBMIT FOR APPROVAL.  
 SIGNATURE: \_\_\_\_\_  
 DATE: \_\_\_\_\_  
 DRAWING IS NOT VALID UNLESS SIGNED

- NOTES:**
1. TANK IS DESIGNED AND CONSTRUCTED IN ACCORDANCE WITH U.I. SPECIFICATIONS.
  2. HEADS AND SHELL CONSTRUCTED OF 10GA MATERIAL.
  3. TANKS AIR TESTED AT 3 PSI.
  4. ALL WELDS CLEANED OF SPAG AND SPATTER.
  5. TANK INTERIOR AND EXTERIOR ARE ELECTRO-CLEANED.
  6. UN TAG: PUT PRECISION IBC SERIAL NUMBER IN "MFG SERIAL NO." LOCATION.
  7. "NO FORKS THIS SIDE" DECAL INSTALLED AS SHOWN AND OPPOSITE.

REV	QTY.	PART NUMBER	DESCRIPTION
12	1	99700364	DECAL STACK 550 SPRINTR
11	1	34702343	DECAL PKG PRE SPRINTR STD-STEM
10	1	35901511	PLUG 2IN HEX HEAD WH EPDM GASKET 304SS
9	1	34701360	ASM BOLTED CLAMP RING 22-5/16 ZINC-PLTD
8	1	35901290	ASM LID 22-5/16 DOT 3IN FV W/TEF 304SS
7	1	33100387	GASKET 22-5/16 DIA. 55 MS MULTISEAL EPDM
6	1	34701524	ASM 2IN 316SS CAMLOCK ADPT W/DUST CAP
5	1	35400191	VALVE ZIN STD STEM BV LOCK HNDL 316SS
4	1	35901485	PRECISION IBC UN TAG 304SS
3	1	34900112	WELD ASM LIFT LUGS HEAVY DUTY 304SS
2	1	34900005	ASM 42 X 48 CD FORK CHANNELS 304SS
1	1	34700889	TK-550 SPRINTR FCD 8.5 LEG ELB WP 304SS

CUSTOMER	QTY.	PART NUMBER	DESCRIPTION
PRECISION IBC			
DATE:	RELEASED		
REVISION	13		
TITLE	ASM TK 550 SPRINTR SS FCD/ELB PREC ADPT		
PART NO.	6984500P51358	REV. NO.	D0087.69
DRW NO.	A	SHEET	1 OF 1



ALL DIMENSIONS ARE IN INCHES. NOMINAL & SUBJECT TO CHANGE WITHOUT NOTICE.  
 ALL DIMENSIONS ON ROTATIONAL MOLDED PARTS ARE SUBJECT TO A +/-.3% TOLERANCE

JUL '20



*Believe in better service.*

PRECISIONIBC.COM

BROUSSARD, LA  
888.805.1247

FAIRHOPE, AL  
800.544.7069