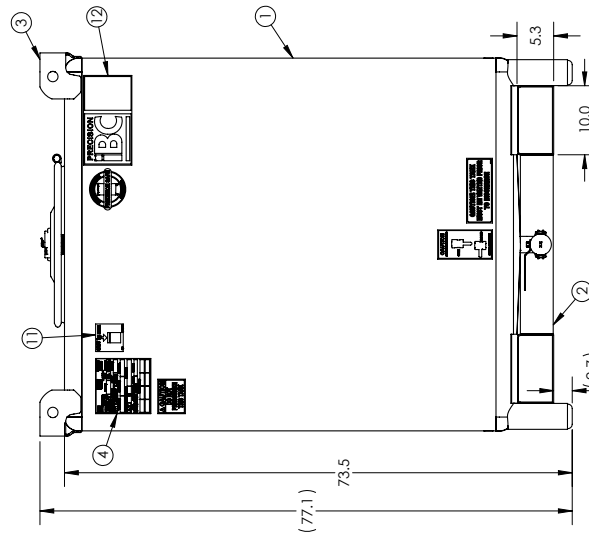
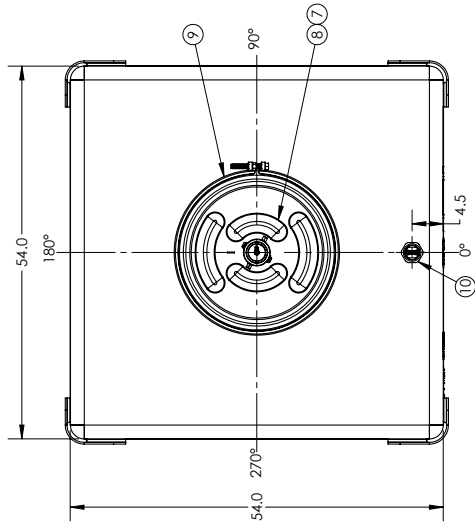
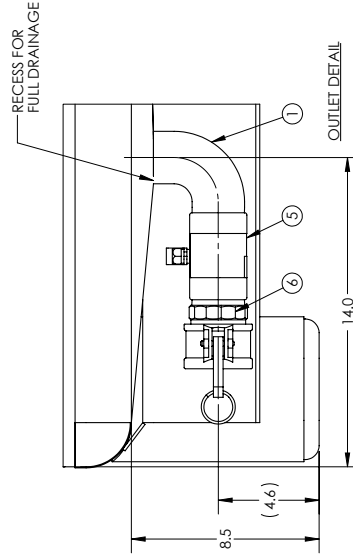
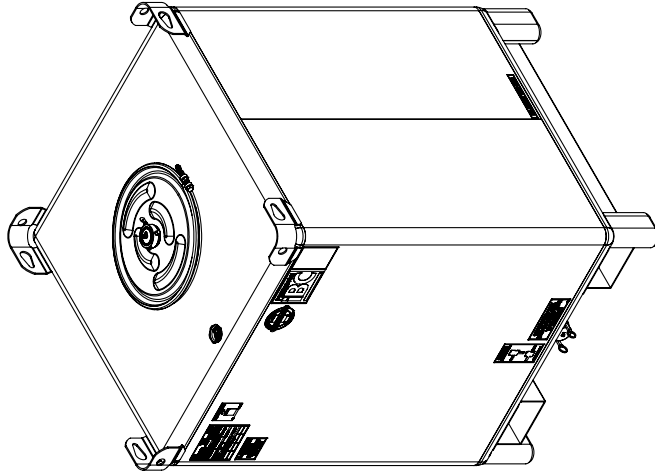


# STAINLESS STEEL 793 GALLON CENTER DISCHARGE

**CUSTOMER APPROVAL**  
 APPROVED FOR PRODUCTION AS DRAWN.  
 REVISE AS NOTED & RESUBMIT FOR APPROVAL.  
 SIGNATURE: \_\_\_\_\_  
 DATE: \_\_\_\_\_  
 DRAWING IS NOT VALID UNLESS SIGNED



**NOTES:**

1. TANK IS DESIGNED AND CONSTRUCTED IN ACCORDANCE WITH U.N. SPECIFICATIONS.
2. TANK IS AIR TESTED AT 3 PSI.
3. ALL WELDS CLEANED OF SLAG AND SPATTER.
4. TANK INTERIOR AND EXTERIOR ARE HAND-CLEANED.
5. UN TAG: PUT PRECISION IBC SERIAL NUMBER IN "MFG SERIAL NO.," LOCATION.
6. "NO FORKS" DECAL TO BE INSTALLED ON SIDE SHOWN AND OPPOSITE.

REV	QTY.	PART NUMBER	DESCRIPTION	CUSTOMER NO.
12	1	34702343	DECAL PKG PRE SPRINTR STD-STEM	
11	1	99700365	DECAL STACK 793 SPRINTR	
10	1	35901511	PLUG, 2IN HEX HEAD WH EPDM GASKET 304SS	
9	1	34701360	ASM BOLTED CLAMP RING 22-5/16 ZINC-PLD	
8	1	35901290	ASM LID 22-5/16 DOT 3IN FV W/TEF 304SS	
7	1	33100387	GASKET 22-5/16 DIA 55 MS MULTISEAL EPDM	
6	1	34701524	ASM 2IN 316SS CAMLOCK ADPT W/DUST CAP	
5	1	35400191	VALVE 2IN STD STEM BV LOCK HNDL 316SS	
4	1	35901485	PRECISION IBC UN TAG 304SS	
3	1	34900112	WELD ASM LIFT LUGS HEAVY DUTY 304SS	
2	1	34900234	ASM 793G FRONT CD FORK TUBE BASE 304SS	
1	1	34900987	TK 793 SPRINTR 54X54 304SS FCD-ELB 8.5LEG	

REV	QTY.	PART NUMBER	DESCRIPTION	CUSTOMER NO.
<b>PRECISION IBC</b>				
DATE: Released		CUSTOMER NO.		
DOWNSHALE		REV: ASM TK 793 SPRINTR 304SS		
E		FCD PREC-ELB		
PART NO. 6984000P51327		REV. ID. D005940		

ALL DIMENSIONS ARE IN INCHES. NOMINAL & SUBJECT TO CHANGE WITHOUT NOTICE. ALL DIMENSIONS ON ROTATIONAL WELDED PARTS ARE SUBJECT TO A +/-.3% TOLERANCE



JUL '20

*Believe in better service.*

PRECISIONIBC.COM

BROUSSARD, LA 888.805.1247  
 FAIRHOPE, AL 800.544.7069