

CARBON STEEL UNIVERSAL ACCESS STAND/DISCHARGE STAND

Precision IBC's access/discharge stands are constructed out of 3" carbon steel pipe with 12" top platform panels and additional bracing to accommodate various IBC base dimensions and discharge configurations. Floor mounted IBC stands in various standard heights are available, as well as IBC spacer stands for use in "piggy back" feed system applications. Custom design and fabrication is also available to meet your specific application requirements.

FEATURES:

- Accommodates stainless and carbon steel IBCs as well as poly and limited life containers
- Accommodates center and side discharge IBCs
- Offset front horizontal support allows for gravity discharge into bucket, container, IBC etc.
- Carbon steel, painted black and safety-striped



OPTIONS:

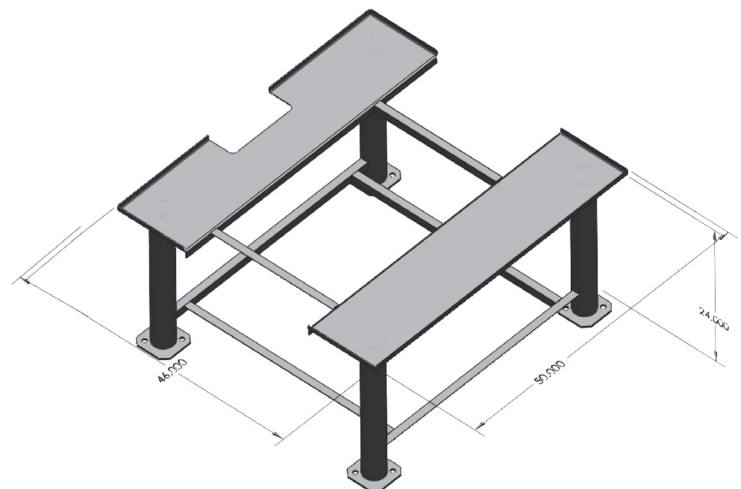
- Dirt base stands minimize uneven ground settling
- Stands for SS-793 and Megatainer available
- Custom heights and footprints available



STANDARD DIMENSIONS:

| |
|--|
| BASE DIMENSION 40" x 46" |
| OVERALL TOP PLATFORM DIMENSIONS 46" x 50" |
| TOP PLATFORM PANELS 12" wide |
| DISTANCE BETWEEN TOP PLATFORM PANELS 22" |
| STANDARD HEIGHTS ARE 6", 12", 24", 36", 48" |

All dimensions are in inches, nominal and subject to change



Believe in better service.

PRECISIONIBC.COM

BROUSSARD, LA
888.805.1247

FAIRHOPE, AL
800.544.7069