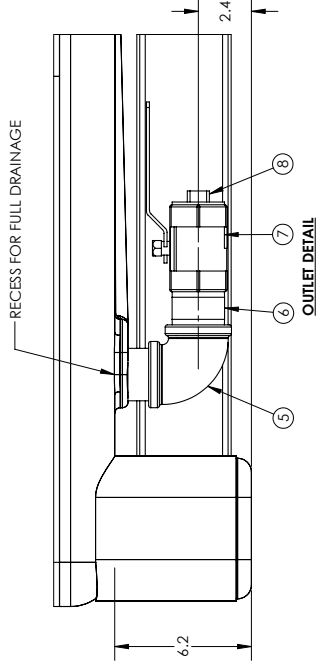
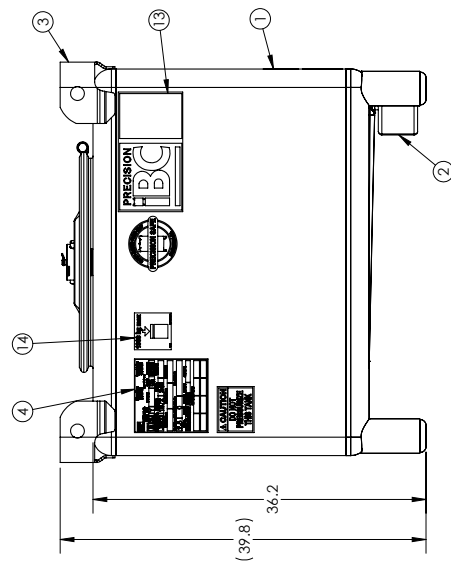
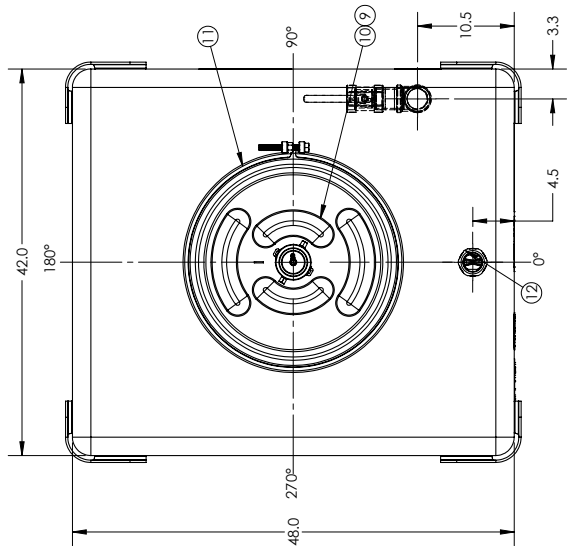
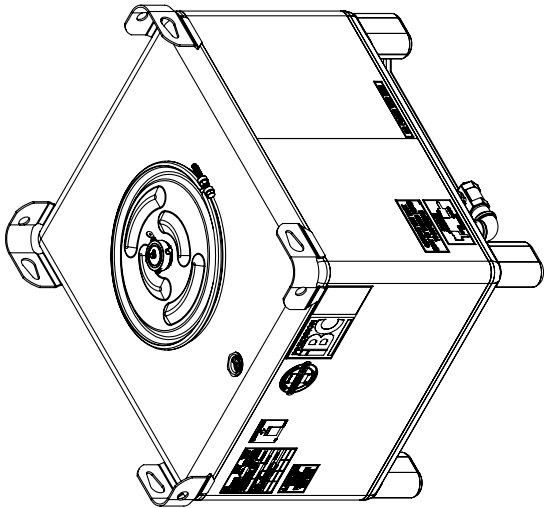


STAINLESS STEEL 250 GALLON SIDE DISCHARGE

CUSTOMER APPROVAL
 APPROVED FOR PRODUCTION AS DRAWN.
 REVISE AS NOTED & RESUBMIT FOR APPROVAL.
 SIGNATURE: _____
 DATE: _____
 DRAWING IS NOT VALID UNLESS SIGNED



- NOTES:
 1. TANK IS DESIGNED AND CONSTRUCTED IN ACCORDANCE WITH U.N. SPECIFICATIONS.
 2. HEADS AND SHELL CONSTRUCTED OF 304A MATERIAL.
 3. TANK IS AIR TESTED AT 3 PSI.
 4. ALL WELDS CLEANED OF SLAG AND SPATTER.
 5. TANK INTERIOR AND EXTERIOR ARE ELECTRO-CLEANED.
 6. UN TAG: PUT PRECISION IBC SERIAL NUMBER IN "MFG SERIAL NO." LOCATION

REV	NO	QTY.	DESCRIPTION
14	1	99700677	DECAL STACK RATING 245 SPRTR
13	1	34701720	DECAL PKG PRECISION SPRTR REV-STEM
12	1	35901511	PLUG 2IN HEX HEAD WH EPDM GASKET 304SS
11	1	34701360	ASM BOLTED CLAMP RING 22.5/16 ZINC-PLTD
10	1	35901290	ASM LID 22.5/16 DOT 3IN FV W/TEE 304SS
9	1	33100387	GASKET 22.5/16 DIA. 55 MS MULTISEAL EPDM
8	1	34200833	PLUG PVC 2IN NPT 5/8 HEAD
7	1	35400162	VLV 2IN REV STEM BV LOCK HNDL 316SS PREC
6	1	35500587	NIPPLE 2IN X 3 LG SCH40 TRF 304SS
5	1	35500529	ELBOW 2IN 180R 90 DEG 304SS
4	1	35901485	PRECISION IBC UN TAG 304SS
3	1	34900112	WELD ASM LIFT LUGS HEAVY DUTY 304SS
2	1	35901173	VALVE GUARD 4-1/4 X 43-1/4 X 10GA 304SS
1	1	34901838	TK-250 SPRTR 42X48 304SS W/NIPPLE

REV	NO	QTY.	DESCRIPTION
CUSTOMER: PRECISION IBC			
DATE: Released			REV. NO. D008724
DRAWN BY: 13			REV. NO. 6984000F51344
SCALE: 1:1			REV. NO. 304SS PREC
TITLE: ASM TK 250 SPRTR 42X48			REV. NO. A

ALL DIMENSIONS ARE IN INCHES. NOMINAL & SUBJECT TO CHANGE WITHOUT NOTICE.
 ALL DIMENSIONS ON ROTATIONAL MOLDED PARTS ARE SUBJECT TO A +/- .3% TOLERANCE



MAR '21

Believe in better service.

PRECISIONIBC.COM

BROUSSARD, LA
 888.805.1247

FAIRHOPE, AL
 800.544.7069